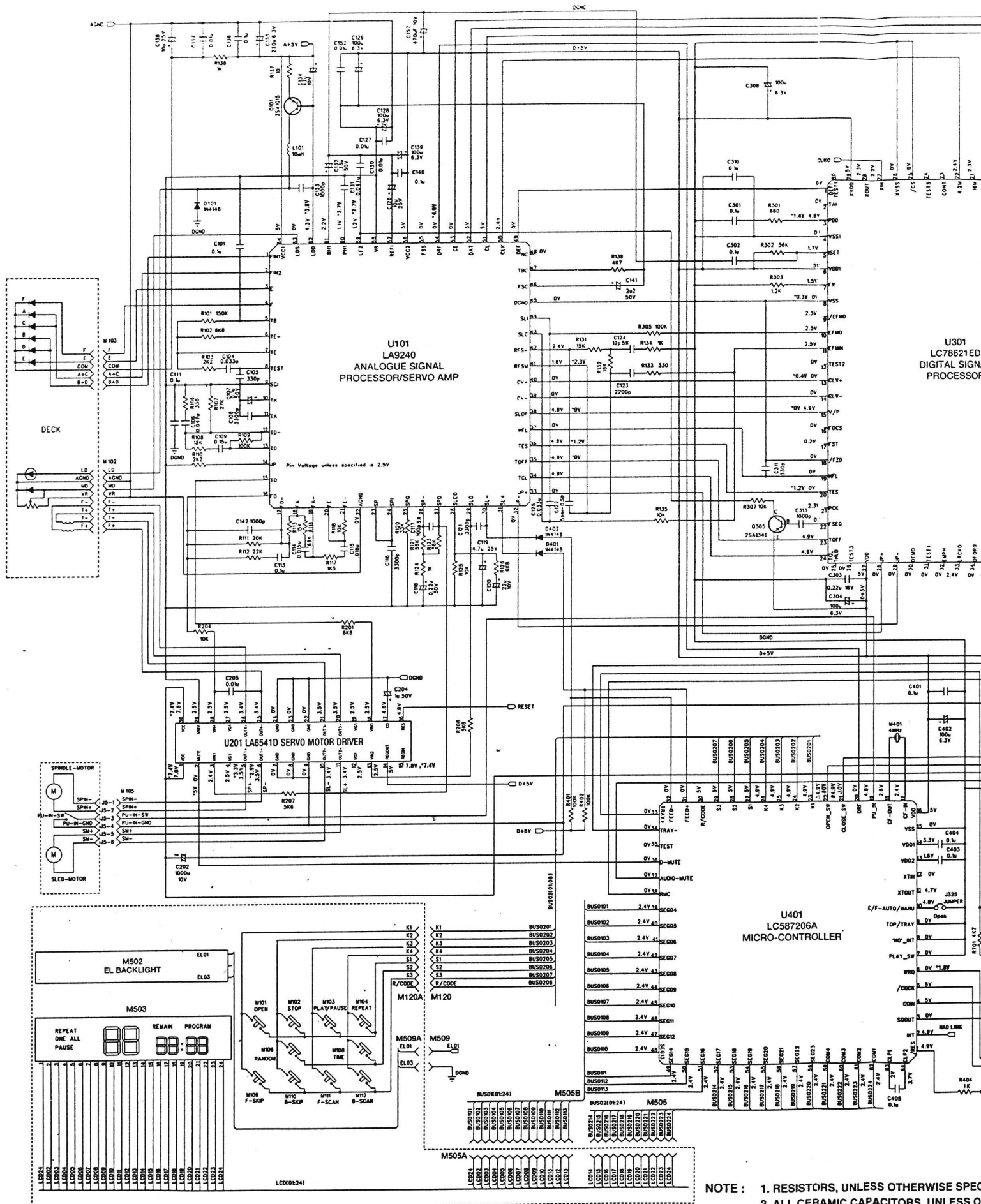
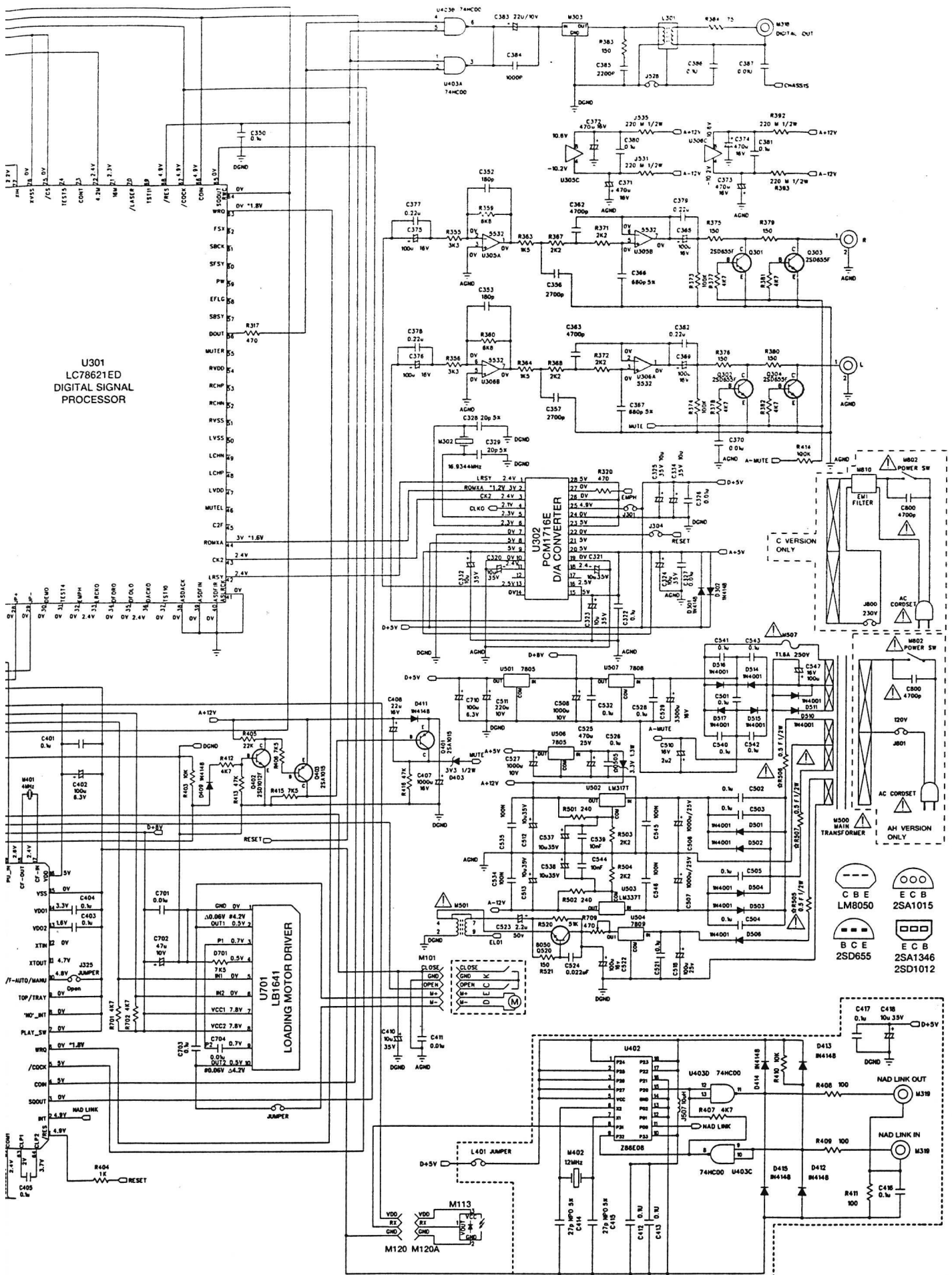


SCHEMATIC DIAGRAM



NOTE: 1. RESISTORS, UNLESS OTHERWISE SPECIFIED...
 2. ALL CERAMIC CAPACITORS, UNLESS OTHERWISE SPECIFIED...
 3. COMPONENTS MARKED * Δ ARE SA...
 4. COMPONENTS MARKED *+ ARE RAISE...



RESISTORS, UNLESS OTHERWISE SPECIFIED, ARE 1/4 WATT.
 CAPACITORS, UNLESS OTHERWISE SPECIFIED, ARE 50V, 10%.
 MARKED "▲" ARE SAFETY CRITICAL PARTS.
 MARKED "☆" ARE RAISED 10MM FROM PCB.
 "STOP" ON THE IC'S PIN WHICH DOES NOT HAS MARKING IS IN STOP MODE.
 "P" IS PLAY MODE, "T" IS TRAY OPEN MODE AND "Δ" IS

RESISTORS : M - METAL FILM
 F - FUSIBLE
 CARBON FILM UNLESS OTHERWISE SPECIFIED.